



Blastrac bv
 Utrechthaven 12
 3433 PN Nieuwegein
 Netherlands
 +31(0)30-6018866
 +31(0)30-6018333

Project description BMG435 110V 50Hz
 Drawing number E01532
 Arch. number

Power supply 110V 50Hz
 Input lead
 Control Voltage

Year of Manufacturing 2008

Remarks

Created on 1-12-2008

Edit date 8-2-2011

by

Number of pages 7

			Date	1-12-2008	Project name:				Page description:		Customer:				=	
			Ed.	FJK	BMG435 110V 50Hz				Title page / cover sheet		Blastrac bv				+	
			Appr								Drawing number:		E01532		Page	
Modification			Date	Name											1	

Table of contents

Page	Page description	supplementary page field	Date	Edited by
1	Title page / cover sheet		1-12-2008	FJK
2	Table of contents		1-12-2008	FJK
3	Legend		1-12-2008	FJK
4	Main Current		1-12-2008	FJK
5	Plug diagram		1-12-2008	FJK
6	Plug diagram		1-12-2008	FJK
7	Parts list		1-12-2008	FJK

1

3

© ART4 Technical Systems, Soest NL

WIRE COLOR

Main Voltage 400/230V

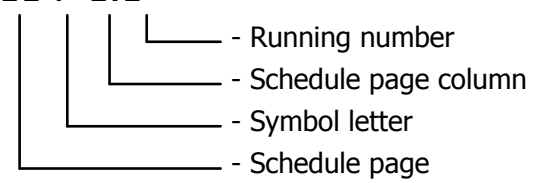
<u>Phase</u>	<u>Colors</u>
L1	- Black
L2	- Black
L3	- Black
N	- Light Blue
Earth / PE	- Yellow/Green

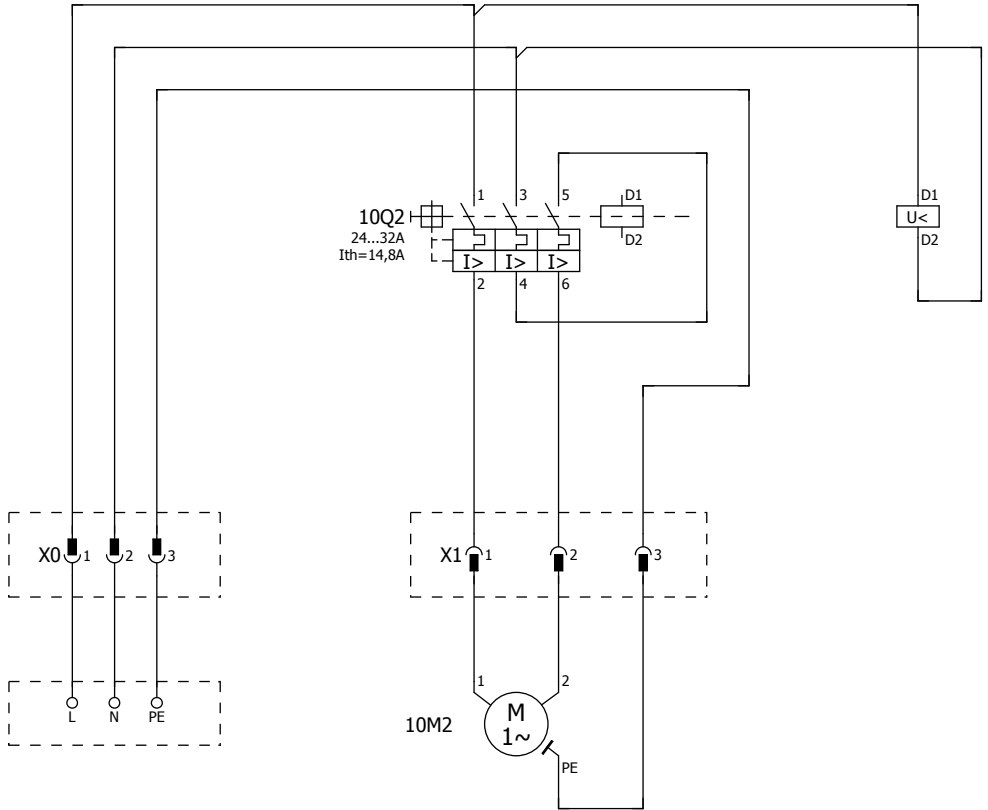
Control Voltage

Phase (230VAC)	- Red
Hook-up wire	- Red
Neutral (230VAC)	- Red
Phase (24VAC)	- Orange
Hook-up wire	- Orange
Neutral (24VAC)	- Orange
Plus (24VDC)	- White
Hook-up wire	- White
Minus / Ground (24VDC)	- Blue

SYMBOL CODE

11 F 1.1





			Date	1-12-2008	Project name:		Customer:		Blastrac bv	=	
			Ed.	FJK	BMG435 110V 50Hz		Main Current		Drawing number: E01532		+
			Appr								Page
Modification	Date	Name									

Plug diagram

F22_001

function text	Strip designation						Strip designation					
	X0			X0			X0			X0		
	Cable name	target designation	Connection point	Plug designation	jumper	device connection point	Target designation	Connection point	Target designation	Connection point	Page / column	
		10Q2	1	1			10W1	L			4.0	
		10Q2	3	2			10W1	N			4.0	
		X1	3	3			10W1	PE			4.0	

Plug diagram

function text	Strip designation X1											Page / column
	Cable name											
	cable type	Target designation	Connection point	Plug designation	Jumper	device connection point	Target designation	Connection point	cable type			
		10M2	1	1			10Q2	2			4.2	
		10M2	2	2			10Q2	6			4.2	
		10M2	PE	3			X0	3			4.3	

Modification	Date	Name	Date	1-12-2008	Ed.	FJK	Project name:	BMG435 110V 50Hz		Page description:	Plug diagram	Customer:	Blastrac bv	=
												Drawing number:	E01532	+
													Page	6

